

PRA472EXT - 1,21 m (4,76')
12 dBi gain Wi-Fi antenna with integrated transmitter.
Thanks to its characteristics it can cover a very large area with a Wi-fi network.

PRA472EXT

Professional WiFi antenna
powered by **BULLET**

KEY POINTS

- 12 dBi gain antenna
- Single wi-fi omnidirectional antenna - 2.4 GHz
- Integrated transmitter, powered by Bullet
- POE supplied
- Easy mounting using 1"BSP mounts (not included)
- Termination: RJ45 10/100 base T Ethernet IEEE802,3
- Vertically polarized, vibration proof, lightweight, corrosion resistant antenna
- The antenna brass elements are protected by high quality and rugged fibreglass tube
- Developed with appropriate materials for withstanding harsh marine environmental conditions

AVAILABLE FOR

- Megayacht**
- Merchant ship**
- Tanker**
- Cargo**
- Barge**
- Supply vessel**
- Fishing boat**



AISI316
STAINLESS
STEEL

1" BSP x 11 tpi
mounting thread

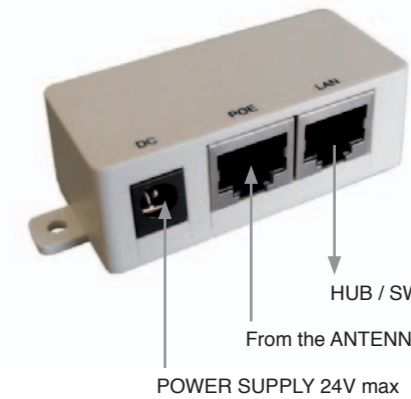
MECHANICAL SPECIFICATIONS		ELECTRICAL SPECIFICATIONS	
LENGTH	1,21 m (4,76')	FREQUENCY RANGE	2,4 - 2,5 GHz
WEIGHT	1,833kg (4,04 lb)	POWER SUPPLY	24 V DC feed through connector (POE)
INSTALLATION	1"BSP x 11 tpi	GAIN	12 dBi
TEMPERATURE RANGE	-40 / +60 °C	POLARIZATION	Vertical
WIND RATING	60 m/s	TERMINATION	RJ45 10/100 base T Ethernet IEEE802,3
COLOUR	white		
MATERIAL	Fibreglass tube + stainless steel ferrule		
MOUNTING	see below		



BULLET²

WI-FI ANTENNA WITH INTEGRATED TRANSMITTER

The customer must configure the antenna transmitter in accordance with National regulations



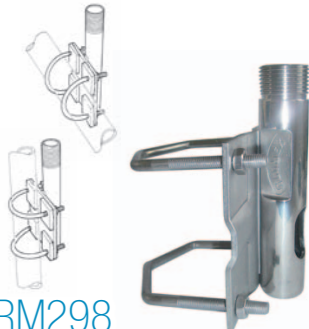
Not included ACCESSORIES
see page 40 to 44



PRM180
deck mount 1"BSP x11 tpi male
AISI316 stainless steel



PRM280
adaptor from 1"BSP x11 tpi male to
1"x14 UNS female - AISI316 stainless steel



PRM298
mast mount for mounting on pipe
1"BSP male for vertical or horizontal
mounting - AISI316 stainless steel